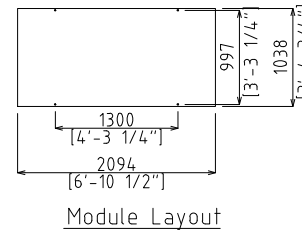


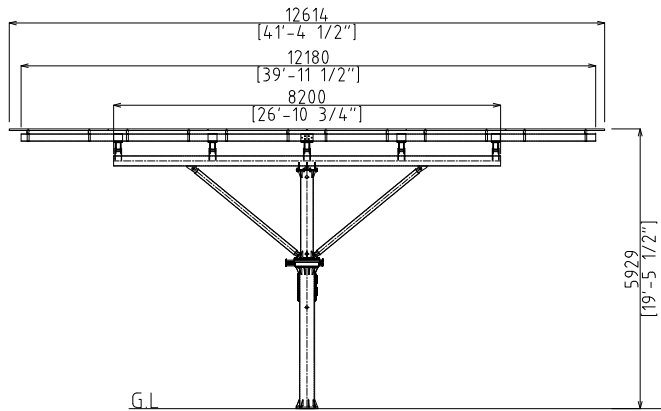
Module Layout



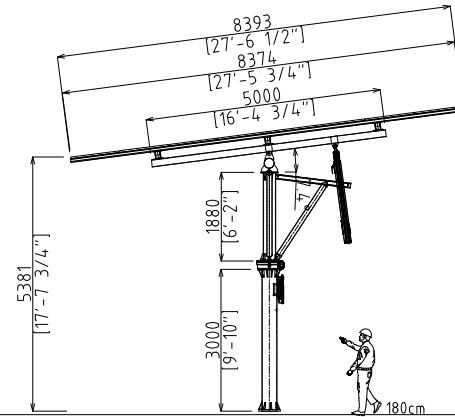
Module Layout

MEMBERS LIST

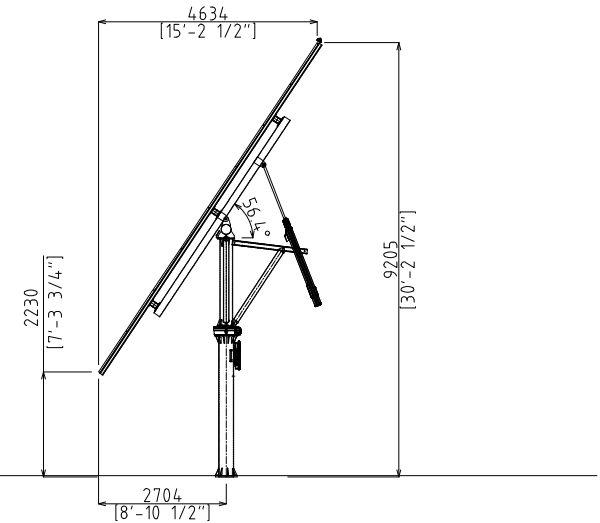
No	PART NAME	Q'TY	MATERIAL	STANDARD	REMARK
1	Purlin	12	Posmac-440	C 75x45x15x2T	
2	Main Girder	3	Posmac-440	□ 150x100x3.2T	
3	Stringer-C	1	SS400	□ 150x100x4.5T	Hot Dip Galvanizing
4	Stringer-S1	4	SS400	□ 150x100x4.5T	Hot Dip Galvanizing
5	Stringer-S2	2	SS400	□ 150x100x5.7T	Hot Dip Galvanizing
6	Torque Tube	1	SS400	φ 216x6T	Hot Dip Galvanizing
7	Torque Brace	2	SS400	φ 114.3x3.2T	Hot Dip Galvanizing
8	Down Post A'ssy	1	SS400	φ 318.5x9T	Hot Dip Galvanizing
9	Upper Post A'ssy	1	SS400	φ 267.4x7T	Hot Dip Galvanizing
10	ACT Supporting Angle	2	SS400	C 100x50x5T x7.5T	Hot Dip Galvanizing
11	ACT Supporting Brace	1	SS400	φ 114.3x3.2T	Hot Dip Galvanizing
12	ACT Supporting Angle Bracket	1	SS400	PL 312x90x10T	Hot Dip Galvanizing



Front VIEW



Side VIEW(7.4°)



Side VIEW(56.4°)